

# OptoLed

Saving Energy



- GENERAL NOTES:**
1. ALL DIMENSIONS ARE IN MILLIMETER.
  2. DESIGN STANDARD EN40.
  3. DESIGN WIND SPEED 16.0 km/h.
  4. ALL CAST ALUM. ALLOY SHALL B 380.1 (ENP-140).
  5. ALL FASTENERS SHALL BE STAINLESS STEEL GR. 316 EQUIVALENT UNLESS OTHERWISE SPECIFIED.
  6. ALL WELDING SHALL BE DONE IN ACCORDANCE WITH THE ANS/BS EN ISO 9692-1-EDV-ALUMINIUM.
  7. ALL WELDING SHALL BE DONE IN ACCORDANCE WITH THE ANS/BS EN ISO 9692-1-EDV-STEEL.
  8. SUPER DURABLE POWDER COATING THICKNESS 100 MICRON (AVERAGE) BS EN 12206-1:2000.
  9. STEEL REINFORCEMENT CORE-HOT DIP GALVANIZED.
  10. PIPE : BS EN 10219-1 -E0V
  11. ANCHOR BOLT & BASE PLATE ASTM A572M GR. 345 OR EQV.
  12. FINISHING: PAINTED / COATED (RAL 7024)

FLAG DETAILS GALVANIZED STEEL

SCALE 1 : 20 1:10mm

ANCHOR BOLT DETAILS GALVANIZED STEEL

SCALE 1 : 20

BASE PLATE DETAIL GALVANIZED STEEL

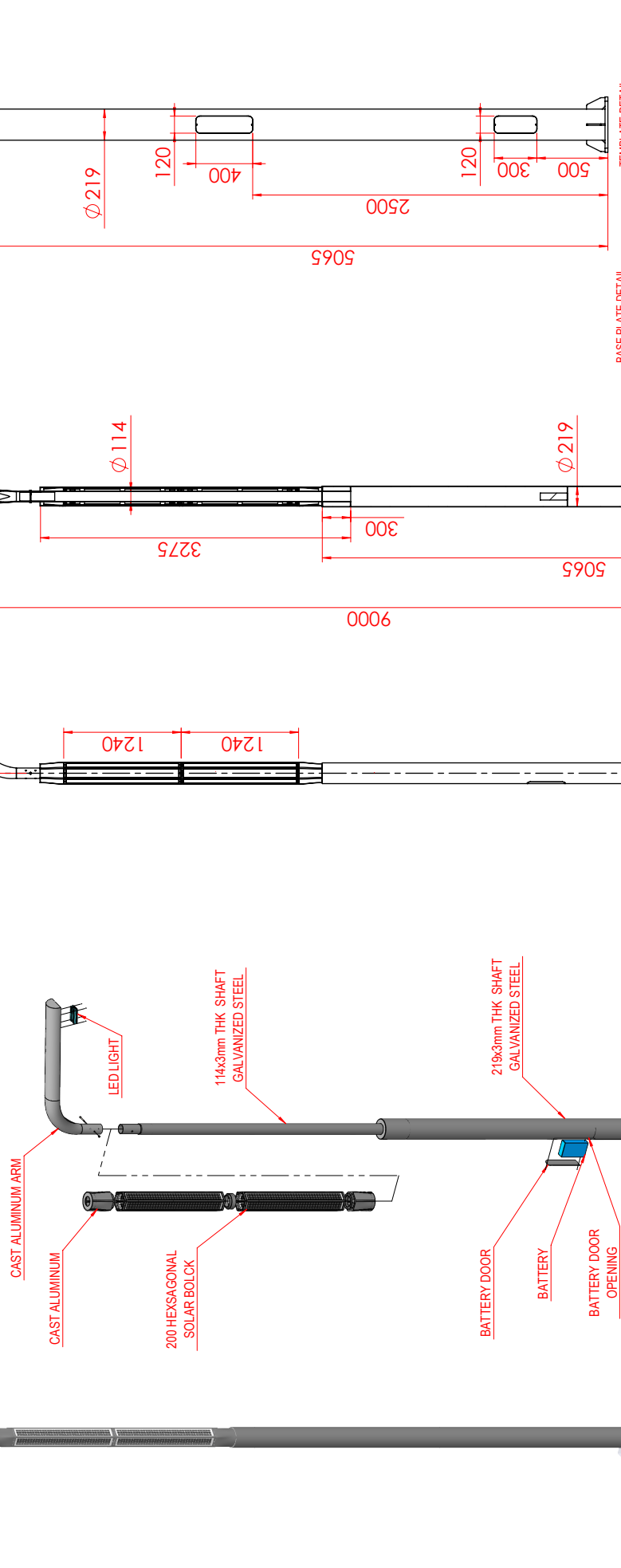
SCALE 1 : 20 1:20mm

TEMPLATE DETAIL GALVANIZED STEEL

SCALE 1 : 20 1:20mm

SECTION A-A SCALE 1 : 45

SECTION B-B SCALE 1 : 45



Proje / Project	Tarih / Date	Adı Soyadı / Name Surname	İmza / Sign	Malzeme / Material
Çizim / Desinger	06.08.2025	YUSUF SALIİH		
Kontrol / Controller				

Parça Adı / Part Name	H-9m SOLAR SINGLE POLE
Ölçek / Scale	1/1 A3

Vida Anma Çapları Genel Tablosu	
The General Table for Screw Nominal Diameter	
Unspecified	Tolerance
0.5 ≤ d ≤ 6	±0.15
6 ≤ d ≤ 30	±0.2
30 ≤ d ≤ 120	±0.3

Ölçek / Scale	Aralık / Interval	İhtiyaç - Precision	Orta - Moderate
1/1 A3	±0.1	±0.15	±0.2

Aralık / Interval	Orta - Moderate
0.5 ≤ d ≤ 6	±0.15
6 ≤ d ≤ 30	±0.2
30 ≤ d ≤ 120	±0.3

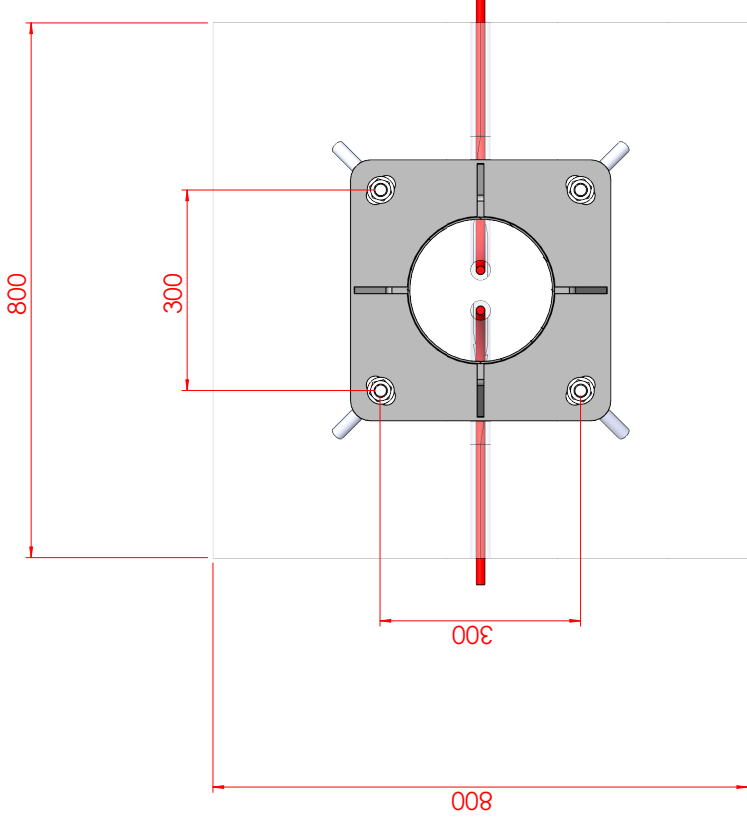
Ertek - External	Orta - Moderate
20.7 <sup>+0.1</sup>	±0.1
26.2 <sup>+0.1</sup>	±0.1
32.9 <sup>+0.1</sup>	±0.1
41.6 <sup>+0.1</sup>	±0.1
47.5 <sup>+0.1</sup>	±0.2
59.3 <sup>+0.1</sup>	±0.3

Klasör / Binder	Dosya Adı / File Name	Resim No / Picture No	Revizyon No / Revision No
PROJ.NO:2506014	BMTC PROJECT		1/2

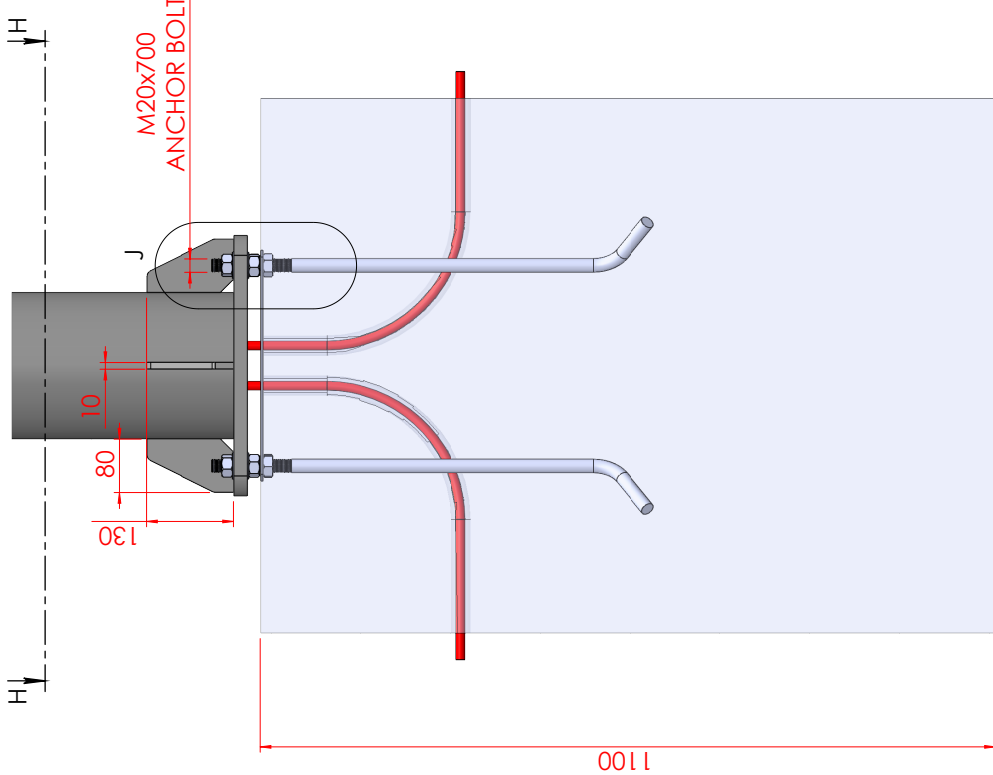


GENERAL NOTES:

1. ALL DIMENSIONS ARE IN MILLIMETER.
2. DESIGN STANDARD EN40.
3. DESIGN WIND SPEED 16.0 km/h.
4. ALL CAST ALUM. ALLOY SHALL B 380.1 (Erich-160).
5. ALL FASTENERS SHALL BE STAINLESS STEEL GR. 316 EQUIVALENT UNLESS OTHERWISE SPECIFIED.
6. ALL WELDING SHALL BE DONE IN ACCORDANCE WITH THE ANSI/BS EN ISO 9872-1-EGV-ALUMINIUM.
7. ALL WELDING SHALL BE DONE IN ACCORDANCE WITH THE ANSI/BS EN ISO 9872-1-EGV-STEEL.
8. SUPER DUTY PULVER COATING BS 4446-104 THICKNESS 100 MICRON (AVERAGE) BS EN 12204-1:2000.
9. STEEL REINFORCEMENT CORE-HOT DIP GALVANIZED.
10. PIPE: BS EN 10217-1-EGV
11. ANCHOR BOLT & BASE PLATE: ASTM A572M GR. 345 OR EQUI.
12. FINISHING: PAINTED / COATED (PAL # TO BE PROVIDED BY THE CUSTOMER)



SECTION H-H  
SCALE 1 : 8



DETAIL J  
SCALE 1 : 4

<b>Proje</b> Project	<b>Adı Soyadı</b> Name Surname	<b>İmza</b> Sign	<b>Malzeme</b> Material	<b>Klasör</b> Binder	PROJ.NO:2506014
<b>Çizen / Designer</b>	<b>Tarih</b> Date	<b>Adı Soyadı</b> Name Surname	<b>İmza</b> Sign	<b>Dosya Adı</b> File Name	BMTC PROJECT
<b>Kontrol / Controller</b>	<b>06.08.2025</b>	<b>YUSUF SALIİH</b>		<b>Resim No</b> Picture No	2/2
<b>Parça Adı</b> Part Name	<b>H:9m SOLAR SINGLE POLE</b>			<b>Revizyon No</b> Revision No	
<b>Ölçek</b> Scale	<b>1/1 A3</b>				
<b>Vida Anma Çapları Genel Tablosu</b> The General Table For Screw Nominal Diameter					
<b>Belirlenmeyen toleranslar</b> Unspecified Tolerances					
<b>Anma Çapı</b> Nominal Diameter	<b>1/2"</b>	<b>3/4"</b>	<b>1"</b>	<b>1 1/4"</b>	<b>1 1/2"</b>
<b>Dişi - Internal</b>	19,2 <sup>+0,2</sup>	24,7 <sup>+0,2</sup>	31 <sup>+0,2</sup>	39,6 <sup>+0,2</sup>	45,5 <sup>+0,2</sup>
<b>Ertek - External</b>	20,7 <sup>+0,1</sup>	26,2 <sup>+0,1</sup>	32,9 <sup>+0,1</sup>	41,6 <sup>+0,1</sup>	47,5 <sup>+0,1</sup>
				<b>Orta - Moderate</b>	<b>±0,1 ±0,2 ±0,3</b>

**OptoLed**  
Saving Energy