

# OptoLed

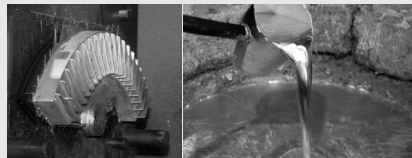
Saving Energy





*AFC LIGHTING / OPTOLED, Lighting with expert staff, the manufacture of interior and exterior lighting fixtures, lighting desing, engineering services, installation and commissioning during the consultation, after-sales service issues serve. We contounie produce in two different facilities in a closed 6500 m2 within 10.000 m2 total plant area, to produce standard and decorative lighting poles.*

### Aluminum Die-Cast Plant



### Surface Mounting Technology

*Our Engineers design the electronic cards and components for our fixtures.*



*The machine, is the most important factor for mass production of , has 40,000 pieces per hour electronic component placement capacity*



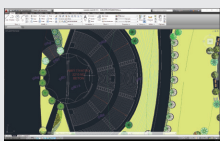
### Powder Coating Plant

*We can paint up to h:14mt. Products in our two different powder coating plant.*



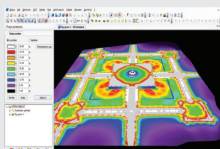
### Mold Production Area

*We can make die-cast aluminum mold, plastic injection mold and cast aluminum mold in our factory.*



### Project Department

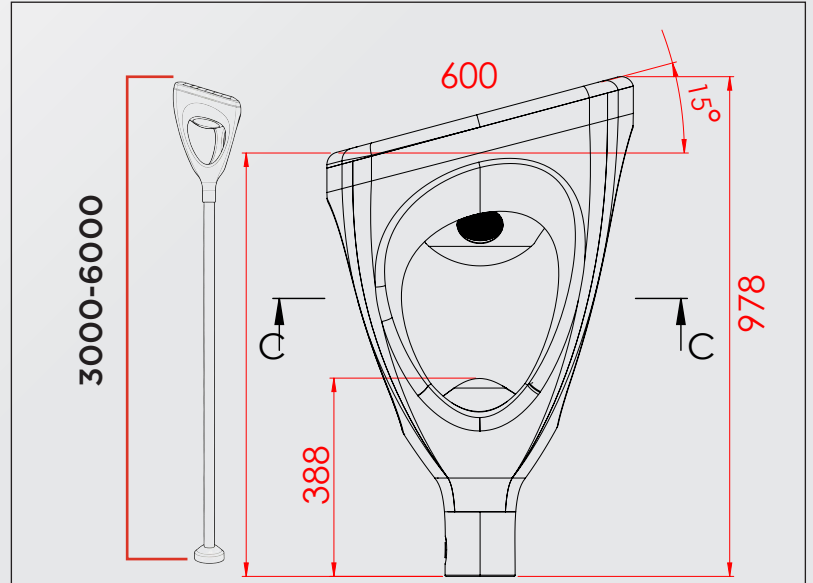
*Your project is prepared by AutoCAD then define solutions details in infrastructure. Our Lighting Simulation Team includes professional engineers who are experts in performing lighting simulations software such as Dialux.*



*Our designers, in line with the work of project engineers, as your project is Created by realistic presentations by 3D Max, V-Ray , After Effect and high-level video editing software such as Visualization and Effect.*



**OptoLed**  
Saving Energy



60 Watts	3000K - 6500K	IP66	IK08	Dali
----------	---------------	------	------	------

## Electrical Details

Input Voltage (V)	220 - 240 VAC
Frequency (Hz)	50/60 Hz
Power Consumption (W)	15-40W
Power Factor	>0.9
Current (mA)	400mA - 1500mA
Surge Protection	4kV, Internal
Electrical Installation Grade	Class I
Control Option	ON/OFF DALI Dimable

## Electric and Electronic Components

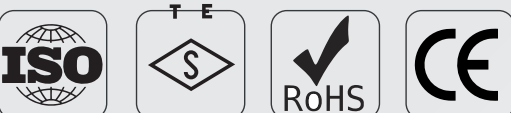
Printed Circuit Board(s) (PCBs)	FR4, 1,60mm Aluminum Board
LED Chip(s)	Cree, LUMILEDS
LED Chip Type	Power LED/Mid Power LED
LED Driver(s)	Meanwell, OSRAM
Optics	LEDIL
Anti-glare	Diffuser
Cable(s)	2x0,75mm TTR(H05VV-F) 3x1,50mm TTR(H07RN-F)
Connector(s)	3 Pin Solder I Type Female-Male Waterproof

## Pole Body Specs

Dimensions	3-6 Meters
Body Type	Tubular / Conical Pole
Material	Galvanized Steel / Aluminum

## Solar Details

Solar Panel Dimensions	500mm x 500mm
Solar Panel	42Wp Solar Panel
Battery	360 - 700 Whr LiFePO4
Charger	MPPT



## Product Datasheet

### Product Description

Product Type	Lighting Pole
Product Name	Ruta
Installation Environment	Outdoor
Application Areas	City, Highway, Promenades
Applicable Mounting Settings	On Ground
Light Distribution	Asymmetrical

### Mechanical Details

Luminaire Housing	Aluminum Body
Base Body	Aluminum Body
Heatsink	Aluminum Injection
Anchor Plate	Yes
Diffuser Options	Optic Lens
Fasteners	A4 Stainless Steel (EN ISO 3506-1)
Pre-coating	.....
Final Coating	Electrostatic Powder Coating
Coating Color Options	Customized (RAL Catalogue)
Ingress Protection (IP Rating)	IP66
Impact Resistance (IK Rating)	IK08

### Optical Details

Beam Angle	Asymetrical
Color Rendering Index (CRI)	>80
Luminous Efficiency	130 - 150 lm/W
Luminaire Luminous Flux	1950 lm - 6000 lm

### Product Configurations

Height	Power (W)	Luminous Flux (Lm)	Color Temperature (K)	CRI
3mt.	15W	2250lm.	4000	>80
6mt.	28W	4200lm.	4000	>80

